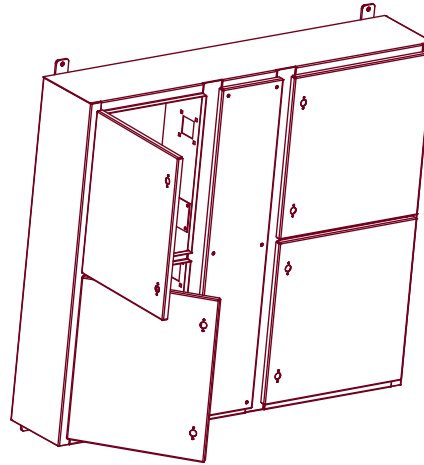
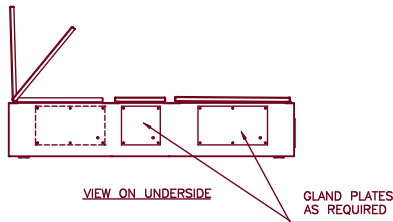


SPECIFICATION	
EN60439-1:1999	
MATERIAL:	ZINTEC SHEET STEEL TO BS EN 10152:1994
SEGREGATION:	FORM 4
INGRESS PROTECTION:	I.P. 54
CONSTRUCTION:	FULLY WELDED DISHED COVERS & DOORS WITH FULLY WELDED CORNERS & EARTH STUD.
PAINT FINISH:	ANY STOCK BS4800 OR RAL SEMI GLOSS
COMPARTMENTS:	PAINTED AS EXTERNAL COLOUR

TYPICAL ARRANGEMENT

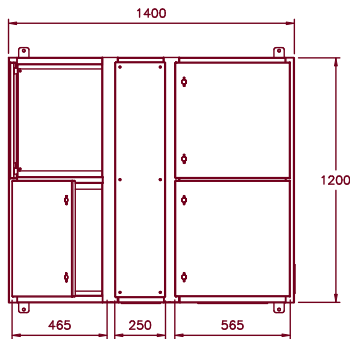


ROTATED VIEW (ENLARGED)

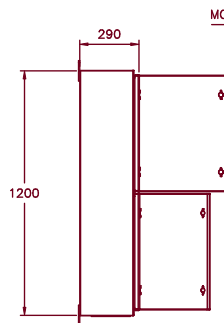


VIEW ON UNDERSIDE

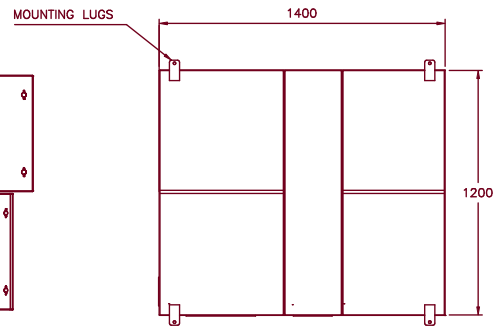
GLAND PLATES
AS REQUIRED



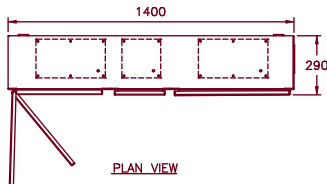
FRONT VIEW



SIDE VIEW



REAR VIEW



PLAN VIEW

NOTE

SIZE AND GLANDING ARRANGEMENT SHOWN IS TYPICAL ONLY. OTHER SIZES AND ARRANGEMENTS AVAILABLE UPON REQUEST.

PUMP PANEL APPLICATION PROFILE

CABLE ACCESS:	FRONT
CABLE ENTRY:	TOP OR BOTTOM
STARTER TYPE:	FIXED PATTERN
VERTICAL BUSBARS:	AVAILABLE ON LARGER MODELS
MOUNTING OPTIONS:	WALL OR FLOOR

Rolla

Atlas Mill Road, Brighouse
West Yorkshire, England, HD6 1ET
Telephone: (01484) 710226
Fax: (01484) 718608
Email - sales@rolla.co.uk
Website - www.rolla.co.uk



TITLE

**TWO PUMP PANEL
DATA SHEET**

DRAWN	DATE	DRAWING NUMBER
ML	MAY 2002	KATTA 013